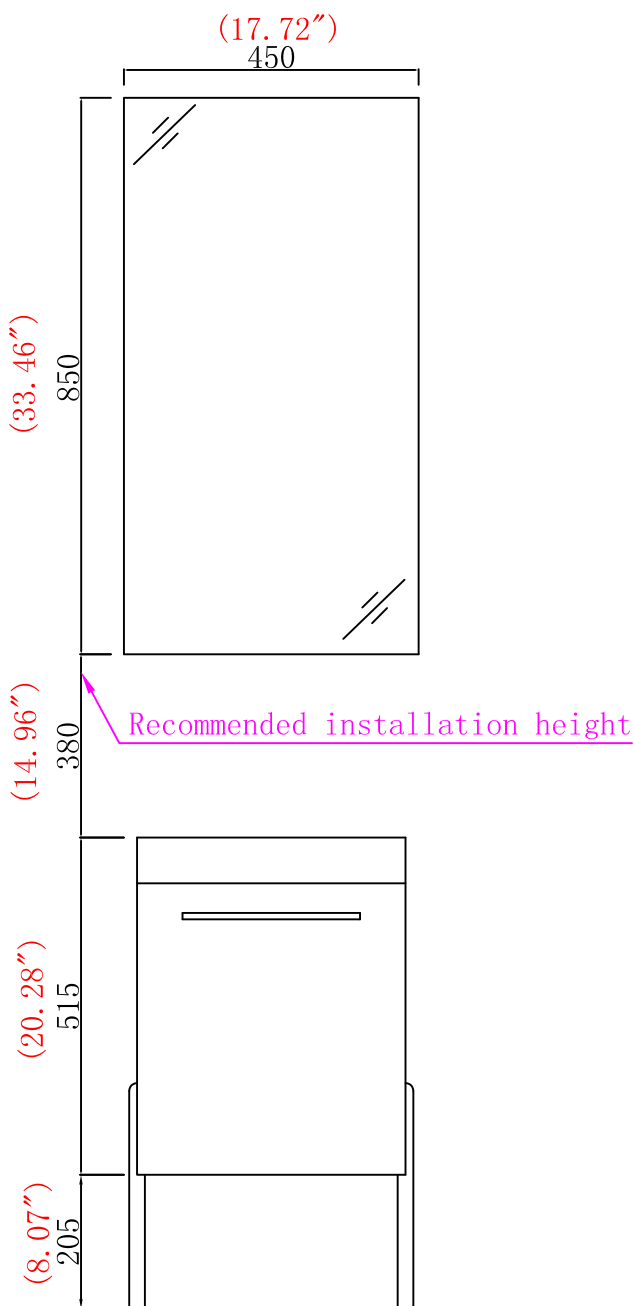



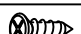

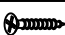


Item No. :CA18

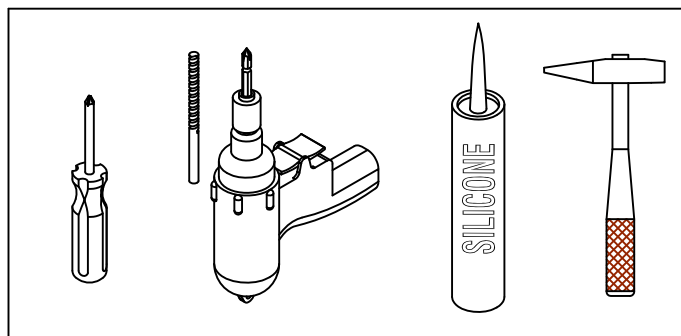


## Hardware

NO.	Draw	QTY
A		2
B		2
C		2
D	 (3.5*14mm)	8
E		4
F	 (3.5*70mm)	4

## FLOOR

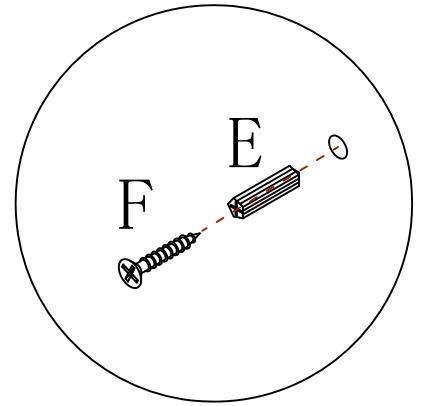
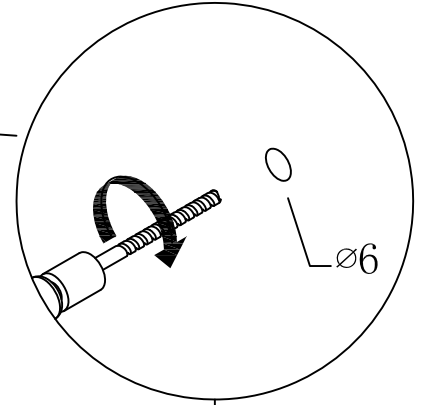
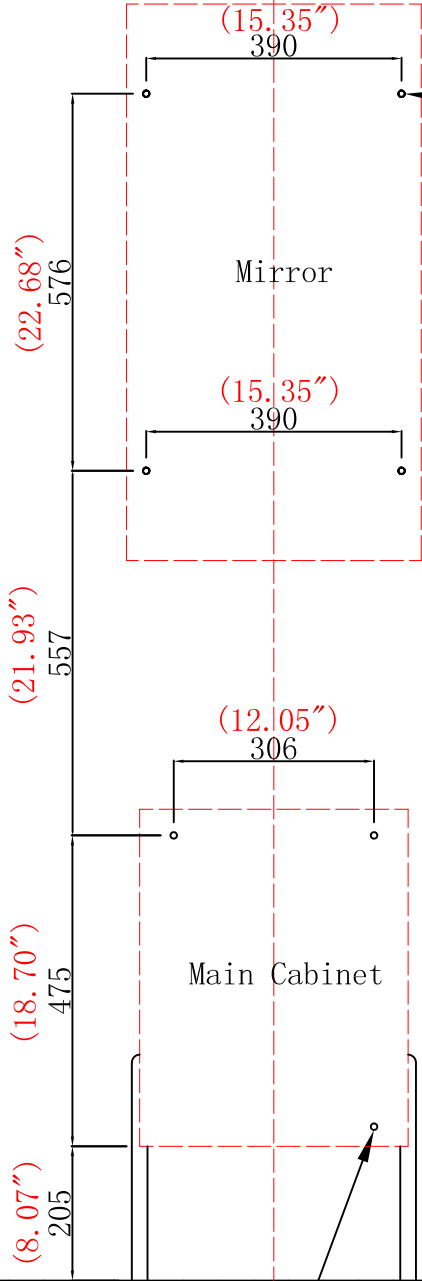
## Tools



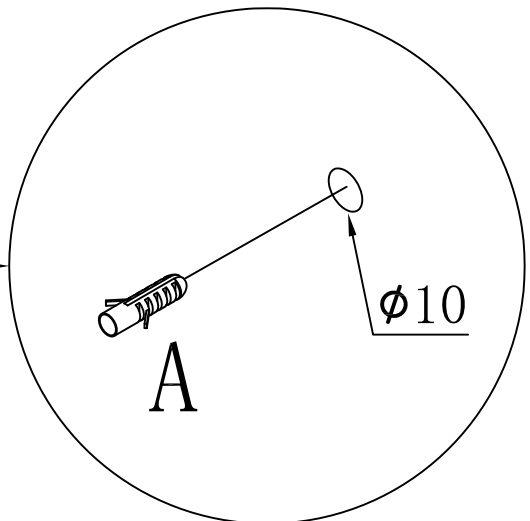
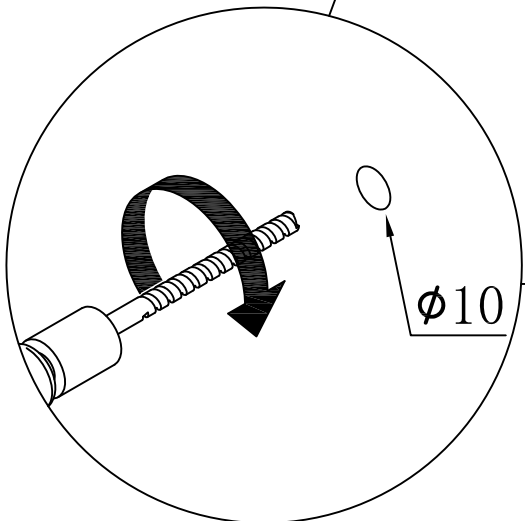
Step 1

Center Line

WALL

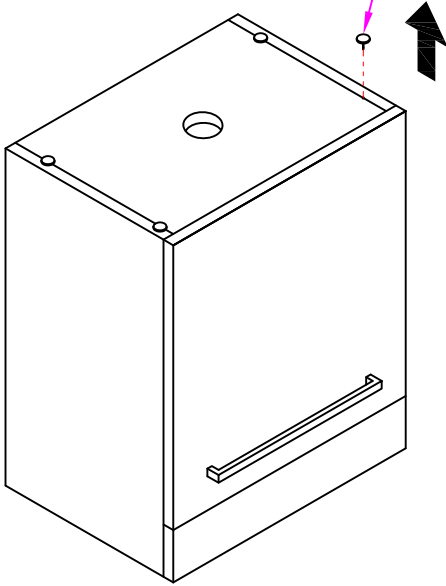


FLOOR

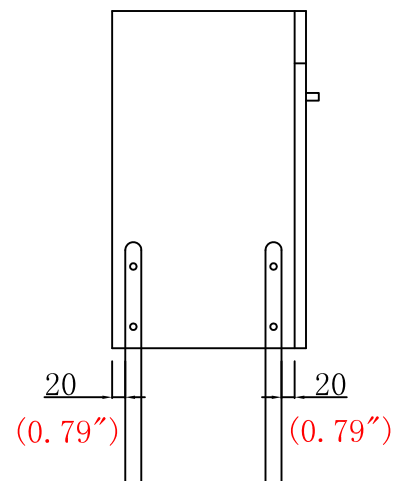
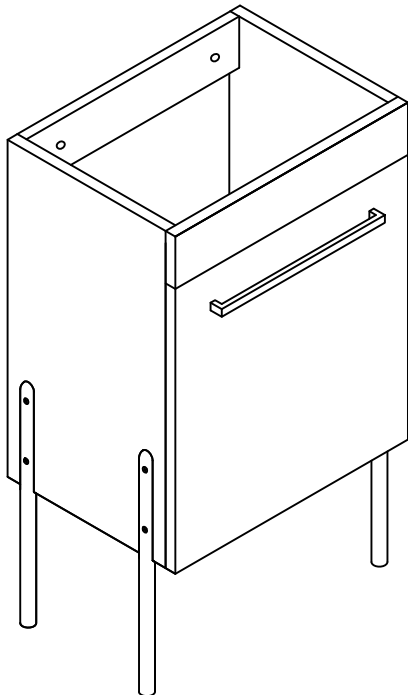
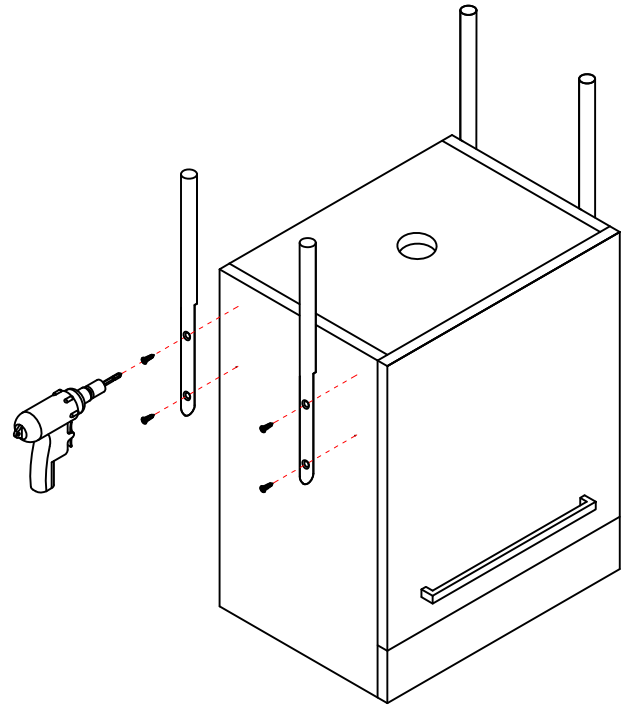


## Step 2

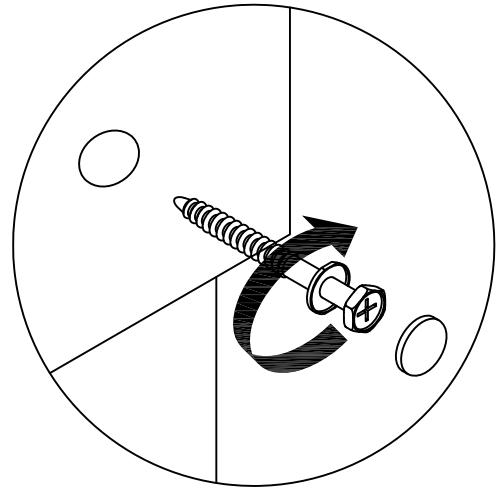
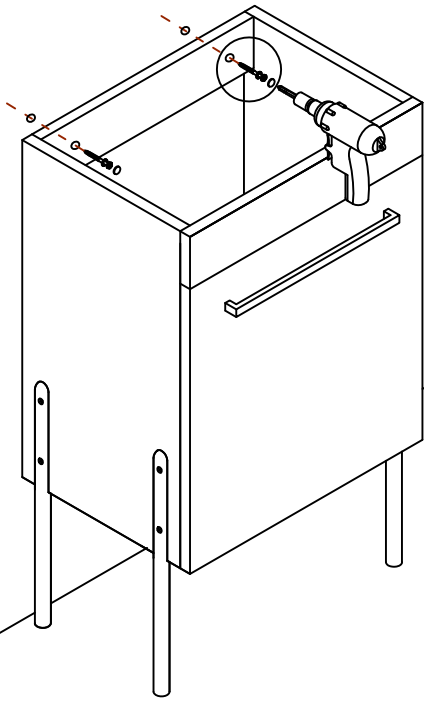
That the four pieces  
needs to be removed  
before installing  
the legs



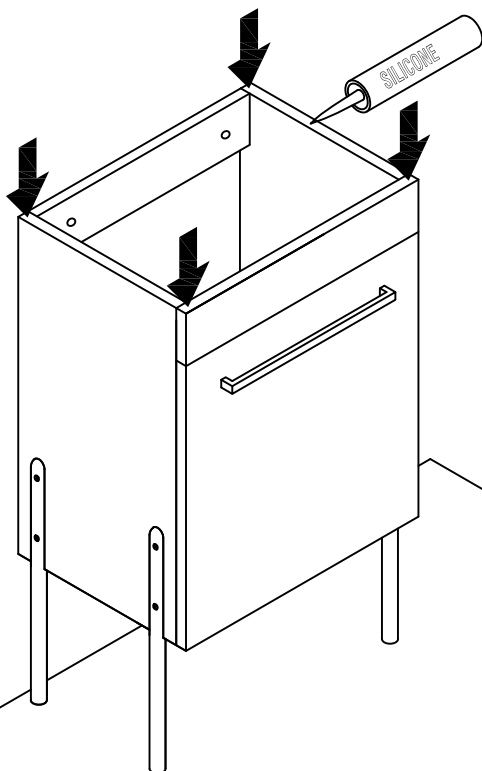
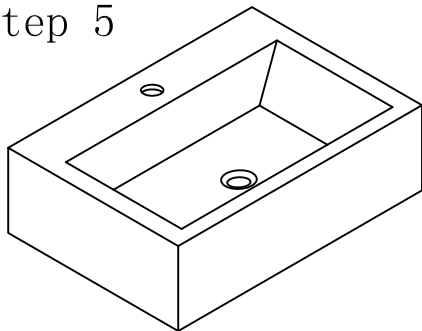
## Step 3



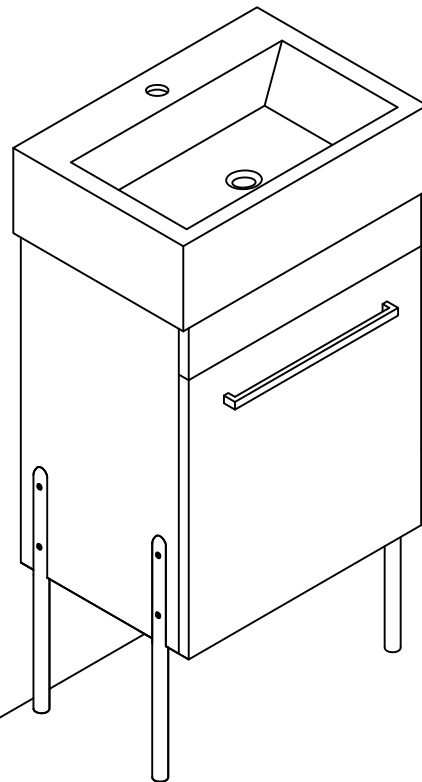
Step 4



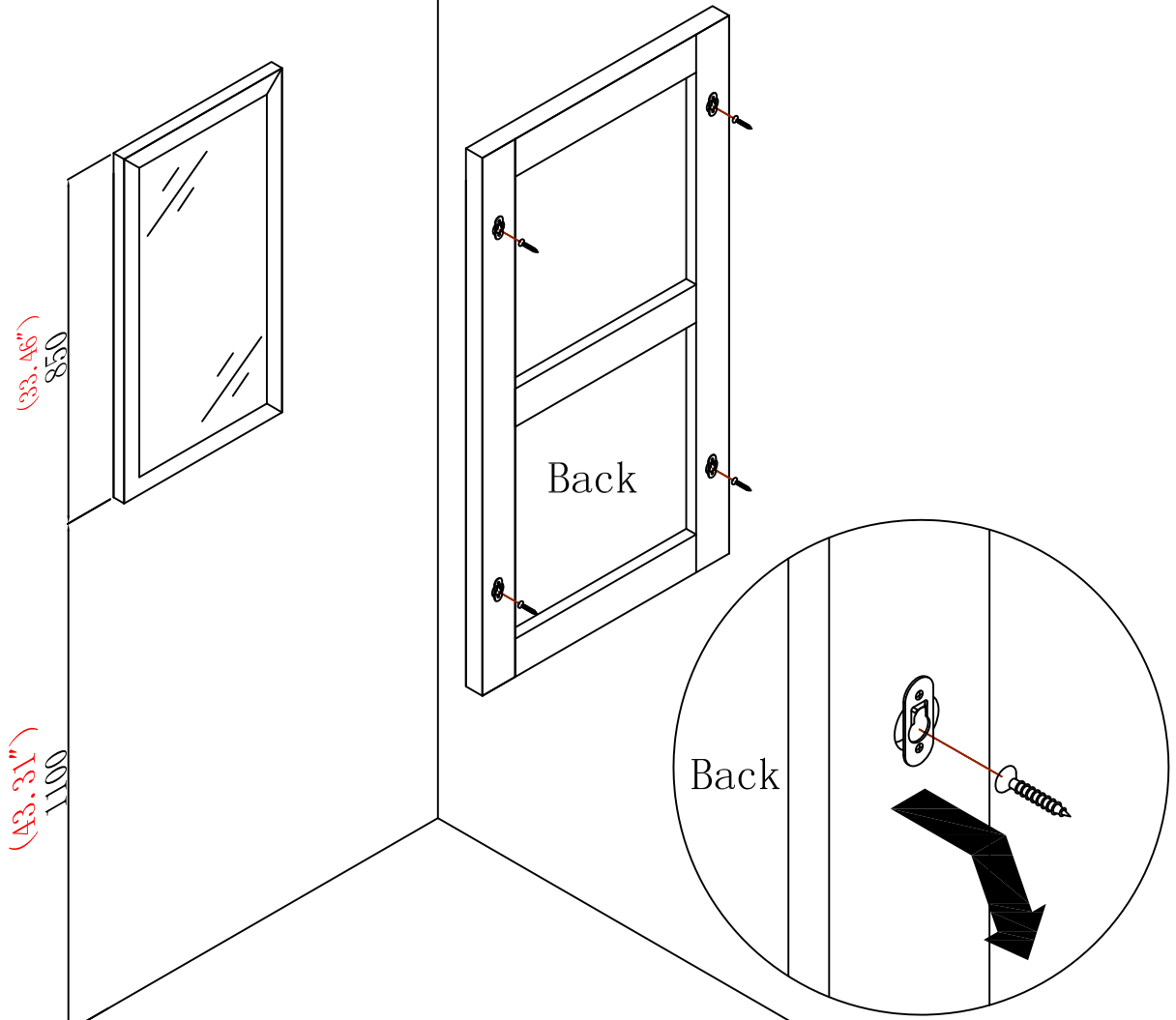
Step 5



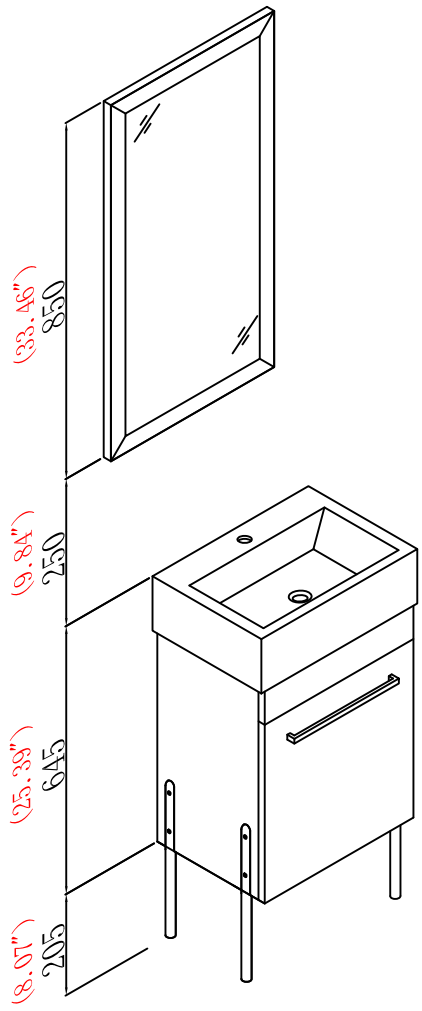
Step 6



# Step 7



# Finished



Overall status  
after installation